

ERECTION OF RUBBER RUBBLE CHUTES COLUMNS

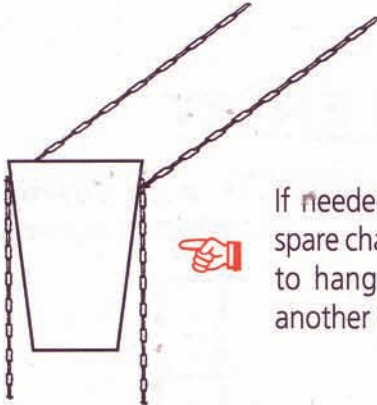
WRONG



RIGHT

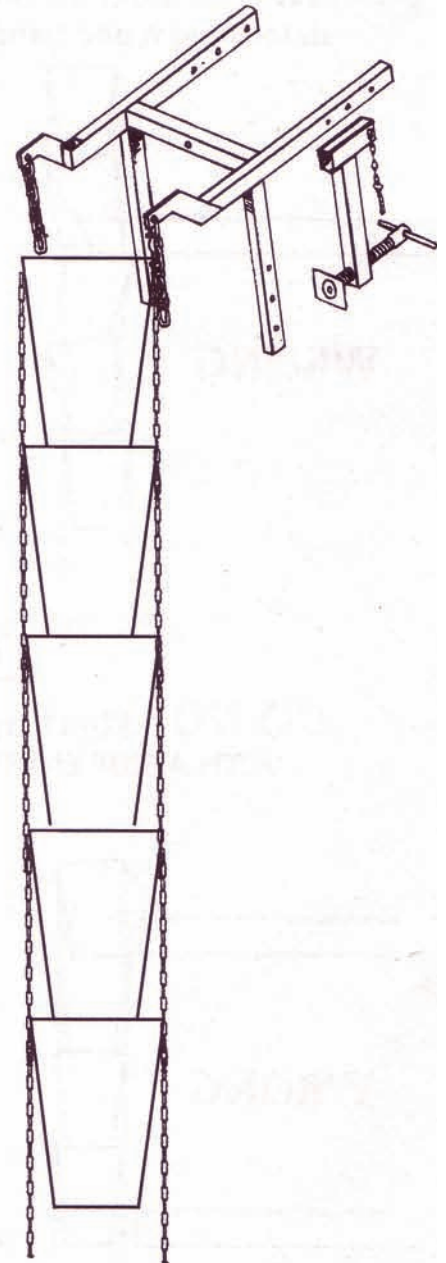


The chute chains must hang **down** from the chute, **never upwards**.

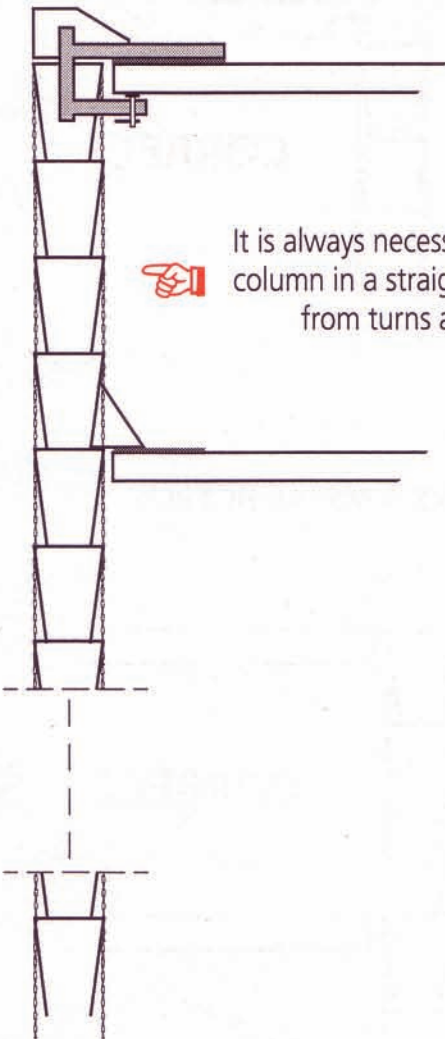


If needed, we can supply two spare chains and security hooks to hang the first chute from another type of system.

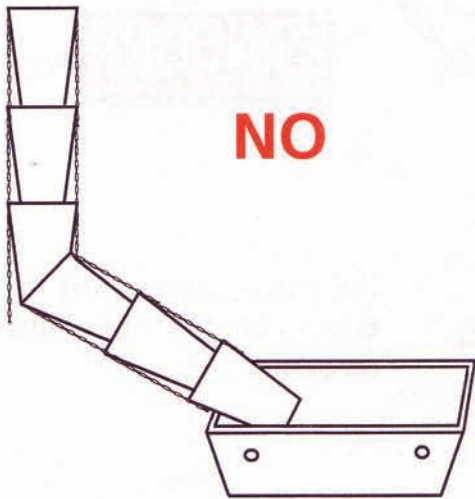
The column must be attached to the structure by a suitable security system, such as our own support frames 



It is always necessary to erect the column in a straight fashion, free from turns and twists.

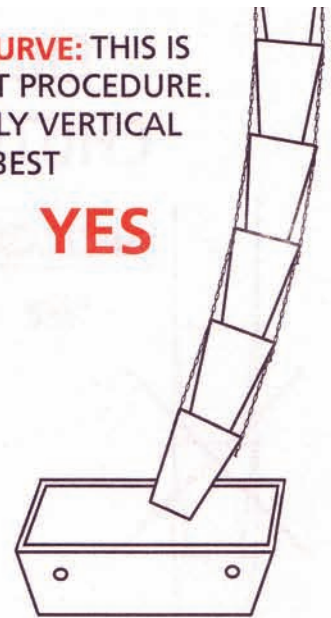


BENDS OR TURNS: Do **not** hang the column this way



NO

SMOOTH CURVE: THIS IS THE CORRECT PROCEDURE. COMPLETELY VERTICAL IS BEST

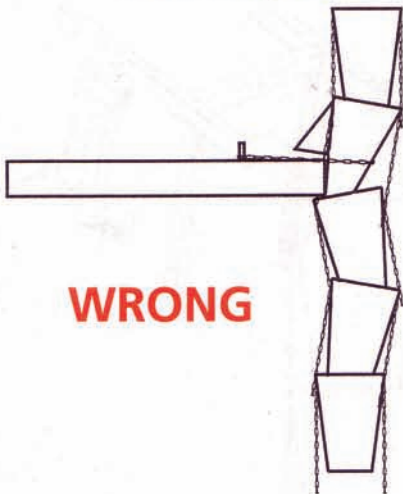


YES

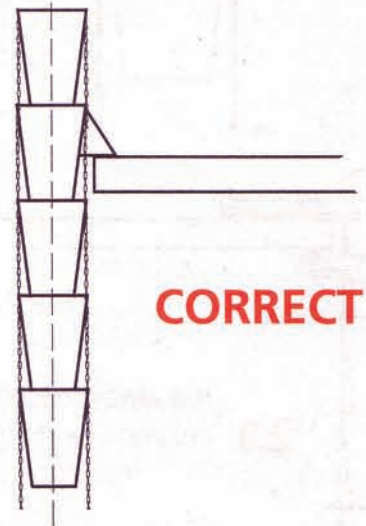
CHUTES WITH SIDE ENTRY

DO NOT tie the chute directly to the structure, deforming it and bending the column

ALWAYS keep a vertical and **FREE HANGING** column



WRONG

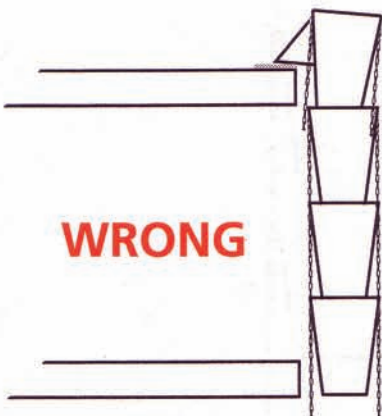


CORRECT

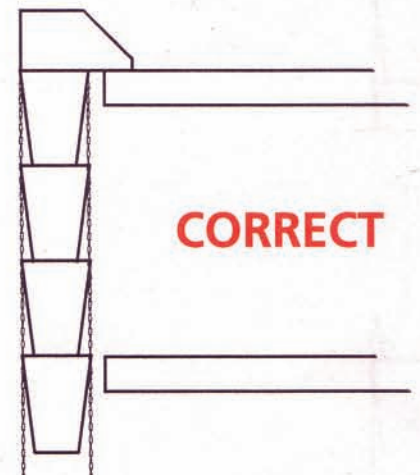
TOP METAL HOPPER

DO NOT START THE COLUMN WITH A SIDE ENTRY CHUTE

USE ALWAYS A METAL HOPPER



WRONG



CORRECT